

# INTELLITIMER

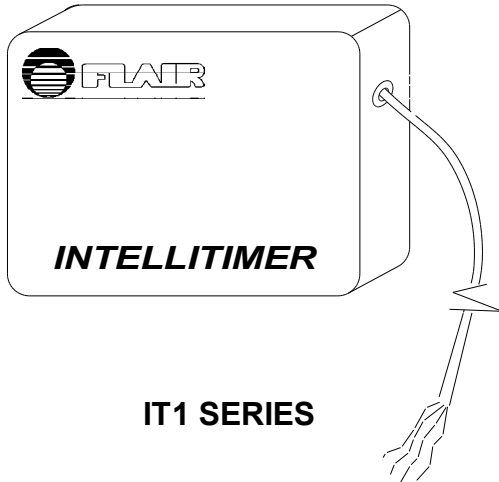
## IT1 Series

Fuzzy Logic Defrost Controller and Diagnostic Tool for Self-Defrosting Refrigerators and Freezers.

Learns refrigerator usage patterns and automatically defrosts when needed (during off-peak times) providing energy savings, demand shifting and significant food quality improvement.

### BENEFITS & SPECIAL FEATURES

- Completely automatic - nothing to set or maintain.
- Failsafe mode allows refrigerator to continue operating in case of device failure.
- Automatically notes periods of compressor run time and adjusts defrost cycle in the future based on need. Continues to learn and adjust.
- Not fooled by sporadic or intermittent use.
- Remembers patterns of use for each 10 minute period over the last 7 days.
- Instantly resets during unanticipated loads but does not incorporate that requirement into the pattern until repeated.
- Reduces wasted energy.
- Automatically shifts demand to non-peak hours.
- Increases equipment life.
- Provides repairman with diagnostic information to make troubleshooting the entire system quick and easy.
- Eliminates unnecessary, wasteful defrost cycles.
- Improves food quality.
- Mounting hardware and 18" wiring cable included.

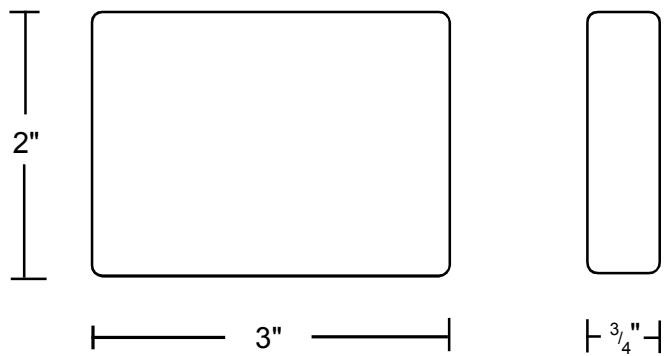


IT1 SERIES

### DESCRIPTION

Working in conjunction with the refrigerator's standard control system, the Intellitimer will set the refrigerator to automatically defrost only when required, and if possible during non-peak periods. This greatly improves food quality while decreasing energy consumption and wear and tear on the equipment. A modular phone jack is provided as a diagnostic tool which allows the repairman to plug in an available monitoring device. This device will advise on the condition and operation of all refrigerator systems, allowing quick and easy diagnosis of problems.

### DIMENSIONS



## SPECIFICATIONS

Memory ..... EPROM, no battery required to retain program

Relay contacts ..... Normally closed SPST contact, fails in normal operation mode

Contact rating ..... 10 amps resistive load

Case (material) ..... High impact flame retardent ABS

Case (color) ..... Matte grey

Demand shift ..... shifts defrost to non-peak hours

Ambient temp.  
 Min. .... -10° F (-23.3° C)  
 Max. .... 140° F (77.8° C)

Ambient humidity  
 Min. .... 5% RH  
 Max. .... 95% RH

Mounting hardware ..... double face tape  
 ..... 4 mounting screws

Diagnostic port ..... RJ11 jack

Dimensions  
 Case ..... 2" x 3" (5mm x 5.62mm)  
 Cable ..... 18" (45.7mm)

Weight ..... 6 oz. (16.9 g.)

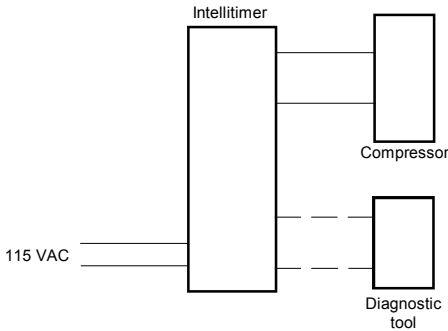
## ACCESSORIES

Plug-in diagnostic tool quickly reads the diagnostic port and pinpoints potential problems with the appliance, saving the repair person much time and money. This device is available separately.

## WARRANTY

All Intellitimers are warranted against defects in materials and workmanship for 30 months from date of manufacture. Some restrictions apply. See complete warranty for details.

## WIRING DIAGRAM



## DIAGNOSTICS

- Door left open or faulty gasket
- Coil dirty
- Compressor inoperative
- Requires freon

An RJ11 jack is provided for easy plug in of the Flair diagnostic tool (available separately).

## INSTALLATION

Intellitimer's are available as original equipment on select refrigerators and freezers with automatic defrost or can be added as a retrofit item on many refrigerators and freezers by a qualified installer. Installation is simple. The device is mounted inside of the refrigerator-freezer using either double-faced strips of tape or four mounting screws (both are provided). The unit is wired in series between the thermostat and compressor in the same manner as a conventional defrost control timer. Unlike conventional timers, one model will meet the requirements of 99% of all applications, because the intellitimer will adapt to any required defrost cycle.

## APPROVALS



## REFERENCES

For More Information On:	See:
Wiring, jumper, settings and applications	Instruction sheet
Other Intellitimers	This section
Controlstat programmable controllers	This section
Set Point Controllers	Set Point Controllers section
Zone Actuators	Star Actuator section
Zone Valves	Star Valve section
Wiring Panels	Control Panels section
Warranty & pricing	Pricing & Terms section

Flair pursues a policy of constant improvement. For this reason, all specifications are subject to change without notice.

